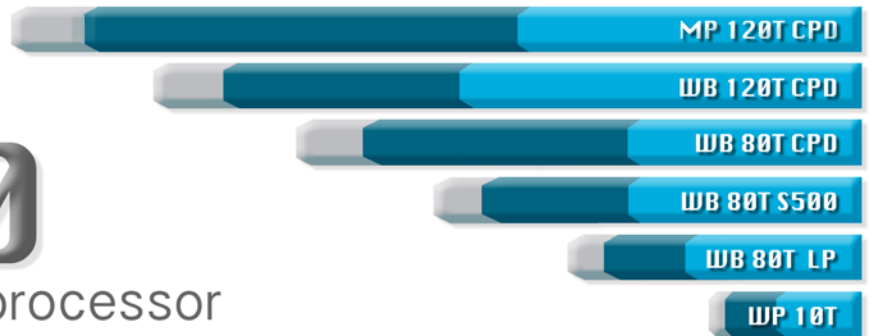




Accurately Weighing Africa



■ software ■ indicator ■ deck



# DD 1050

weighing management processor



Sasco's Tier I Technology comprises the Bilancial range of instrumentation which is recognised as the leader in terms of accuracy, reliability and functionality.

## GENERAL

The DIADE Series is a revolutionary new range of fully programmable weighing processors. In addition to being high performance weighing instruments, these terminals offer exciting and innovative opportunities for application specific customization. The DIADE Series not only provides tailor-made software for specific operations, but it can also be independently programmed to meet all the various application needs when used in an industrial environment.

The very same system offers almost endless programming possibilities, using state-of-the-art languages, for the management of complex applications, together with versatile PLC software to manage these processes more simply.

The DD 1050 terminal is designed for industrial applications, features the standard measuring software required for weighing management. To complete the terminal, various specific items of software are available for different weighing applications.

Optional applications software makes it possible for users to personalise all the functions and graphics they need for their own operations. Even more proof of the system's extreme flexibility is provided by the ability to connect up to 4 weighing machines with either digital or analogue loadcells.



DIADE

## APPLICATIONS

Because of its extreme versatility the DIADE Series can be used in all industrial weighing environments. The family of Diade weighing terminals is undoubtedly the perfect solution for many control processes, making possible a significant reduction in the system components used, with the following benefits:

- Fewer and less complex connections with a consequent reduction in installation costs.
- Reduced costs for system components.
- Simpler maintenance/assistance procedures.

## FEATURES AND PRINCIPLES

**ROBUST AND VERSATILE:** Designed for industrial applications; body in ABS with a stainless steel front. Available in both bench and wall-mounted versions.

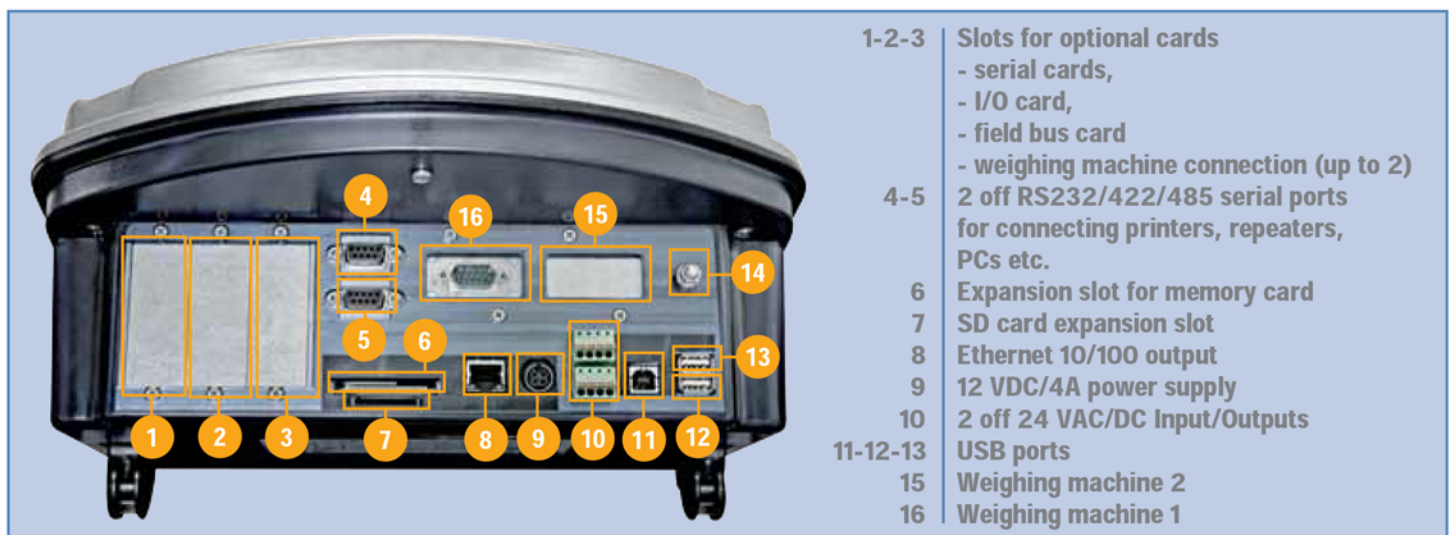
**SUITABLE FOR ANY OPERATING ENVIRONMENT:** For applications in “harsh and aggressive” environments, the completely stainless steel version is available with IP68 protection.

**FAST AND SIMPLE TO USE:** The 10.4” colour touch screen colour display features easy-to-understand icon graphics and the screen layout can be readily personalized for specific applications.

**NETWORKED COMMUNICATIONS:** The hardware configuration, together with the programming power of the DD 1050 terminal, ensures simple connectivity with customers’ own networks and because it is possible to install drivers for various peripheral accessories, such as printers etc., these can be managed directly from the terminal.

**DATA MANAGEMENT:** By using an SQL relational database, enhanced with remote connectivity options and flexible archive structuring, targeted data management can be achieved enabling the data in question to be easily exported to corporate databases.

## TECHNICAL SPECIFICATIONS



- 1-2-3 Slots for optional cards
  - serial cards,
  - I/O card,
  - field bus card
  - weighing machine connection (up to 2)
- 4-5 2 off RS232/422/485 serial ports for connecting printers, repeaters, PCs etc.
- 6 Expansion slot for memory card
- 7 SD card expansion slot
- 8 Ethernet 10/100 output
- 9 12 VDC/4A power supply
- 10 2 off 24 VAC/DC Input/Outputs
- 11-12-13 USB ports
- 14 Weighing machine 2
- 15 Weighing machine 2
- 16 Weighing machine 1



the best in every weigh

CUSTOMER CALL CENTRE 0861 422 134  
E-mail [info@sascoafrica.com](mailto:info@sascoafrica.com)  
Web [www.sascoafrica.com](http://www.sascoafrica.com)

## SOFTWARE OPTIONS

DIADE Series terminals are equipped with weight measuring software. It is also possible to use this instrument with software designed for a diverse number of applications.

VEHICLE WEIGHING packages are available that can be connected directly to a wide range of management systems for the export/import of data.

In addition to calculating net weight, it is also possible to manage the additional data required for printing transport documentation, including A4 printed format.

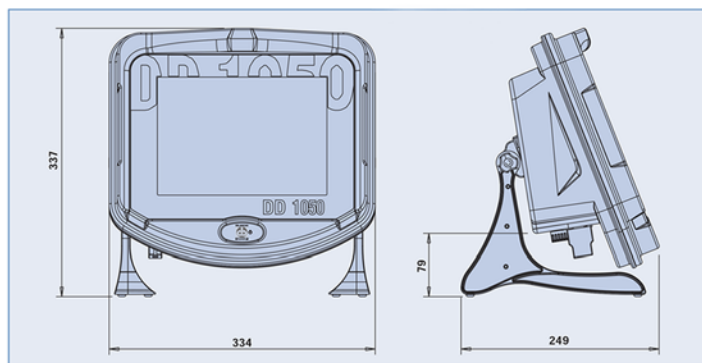
The system can also be used to manage identification and access control equipment, such as card readers, electronic barriers, automatic number plate recognition systems, traffic lights etc.

BATCH CONTROL software is available for weighing systems to control and manage weighing cycles, recipe formulae, silos, products, statistics, fast and slow filling and emptying plus automatic in-flight correction.

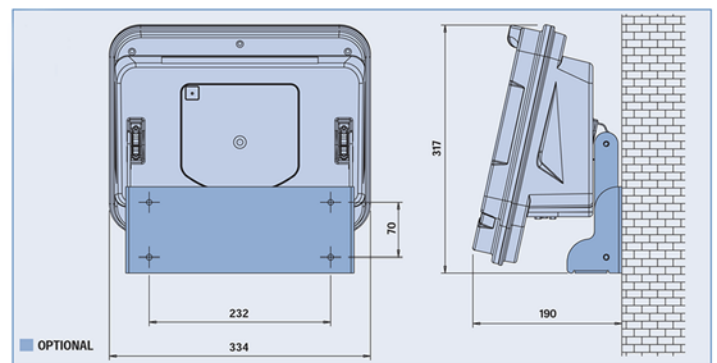
WASTE & RECYCLING MANAGEMENT software for waste processing sites, software for logistics, filling/emptying operations and for the Food Industry processing operations are also available.

## OPTIONAL MOUNTING

Bench Mounted



Wall Mounted



Customer Call Centre: 0861 422 134  
 Call Centre Hours: 24 Hours, 7 Days a week  
 Group Support Head Office: C/O Apex & Blackburn Streets  
 Apex Industrial Benoni  
 Phone : +27 (0) 11 746 6000  
 Fax : +27 (0) 11 746 6100  
 E-mail : info@sascoafrica.com



the best in every weigh

CUSTOMER CALL CENTRE 0861 422 134

E-mail info@sascoafrica.com

Web www.sascoafrica.com